

3780/2780 BSC/ RJE Emulation for Microsoft Windows® PCs plus Linux®, AIX®, Solaris®, and FreeBSD Unix Platforms

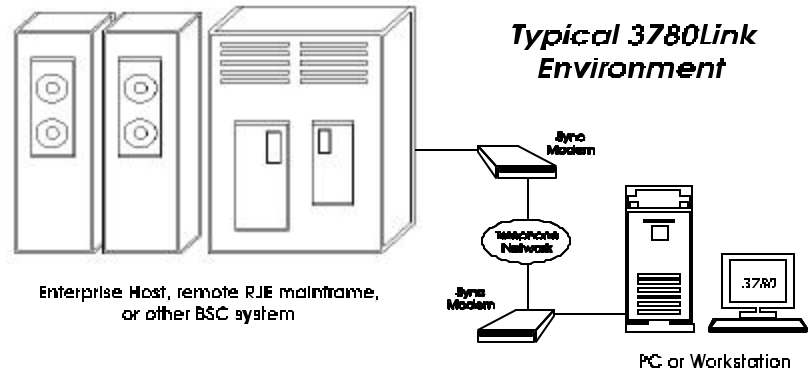


Use 3780Link when your needs call for:

- BSC Remote Job Entry (RJE)
- ATM machine connectivity
- Point-of-Sale Interfacing
- Electronic Data Interchange
- Electronic Funds Transfer
- Clearing House Transactions
- Insurance Claims Filing
- Mainframe File Transfer
- Remote Data Collection
- Other 3780 emulation needs

3780Link™

IBM 3780/2780 BSC/RJE Emulation



3780Link™ provides full-featured IBM 3780/2780 BSC/RJE terminal emulation for a variety of computing platforms. You can use the intuitive menus for interactive operations or take advantage of the powerful script language for automated, unattended sessions. 3780Link is configurable for virtually any 2780 or 3780 environment.

Menu-Driven Interactive Interface

The 3780Link user interface utilizes pull-down menus and prompts; the Windows versions add toolbar buttons and context sensitive help. There are no confusing, cryptic commands to type in when using 3780Link.

Scripts for Unattended Operation

3780Link's script language commands automate the functions of 3780Link menus. There are commands for looping, branching, and error control. There's a command to run external processes, and others that permit programmatic control from a user-written application. Auto-dial, auto-answer, and time-activated commands are available.

Integrated Environment

Within the 3780Link environment you can connect, disconnect, send and receive files. Configuration settings are saved and automatically restored each time you connect. Current session statistics can be viewed instantly. Real-time status windows are visible during file transmission and reception. (Use

this environment to create and test scripts for later use during unattended operation.)

Comprehensive Log File

After a script has run, review a session by viewing 3780Link's log file, which records all commands, messages, and command results.

Application Integration

For developers, script sessions can be invoked from and controlled by your application to integrate file-oriented BSC connectivity into your custom applications or you may opt to use Serengeti's separate record-oriented BSCLIB API product for even tighter control.

3780Link as an NT Service

3780Link be installed as an NT Service on Windows NT, 2000, and XP. This permits automatic loading of 3780Link on system startup and completely unattended operation.

Multiple BSC/RJE Ports

3780Link supports multiple BSC sessions using SyncPCI and SmartSync/DCP intelligent multiport communications co-processor adapter(s). Up to 48 simultaneous, independent sessions from a single PC are supported.

Multiple Platforms

3780Link menus, script language, and the optional API, provide a consistent interface spanning Windows PCs and many Unix operating systems.

Basic Features

- Easy setup and configuration
- Save and use multiple configuration files
- Phone directory for frequently dialed hosts
- Up to 56K bps over dial-up or leased lines
- Detailed log file with date and time stamps
- Real-time session statistics
- Line trace for monitoring and diagnostics
- Auto-dial with UDS, V.25bis, SADL, and the AT (Hayes) command set modems
- Auto-answer with most modems
- Up to 48 BSC ports on a single system

Script Language

- Execute scripts from the command line, batch files, parent processes, or the 3780Link menu
- Supports unattended operation
- "Hot-reader" feature to send files automatically
- Execute external processes and evaluate results
- Accept commands from a client process
- Command line parameter substitution
- Call scripts from within scripts
- Time-activated commands
- Branching and looping commands
- Extensive result codes and error testing

RJE Server Functionality

- Load 3780Link as an 3780 RJE server
- Submit commands to 3780Link from user programs (via Windows DDE; or named-pipes interface on Unix platforms)

3780/2780 BSC Features

- Complete IBM 3780/2780 BSC/RJE emulation
- Point-to-point bisync protocol
- Automatic ASCII - EBCDIC translation
- Vertical Forms Control (VFC) recognition
- Device selection support
- Supports half- or full-duplex modems
- Space compression and expansion (3780)
- Space truncation and expansion (2780)
- WACK, RVI, and TTD support
- Transparent text mode support
- Terminal identification support
- CRC-16 error checking

Enhanced BSC Features

- Receive files to console, printer, or disk
- Binary file mode to send and receive non-text files
- Automatic concatenation of outbound files if desired
- Ability to strip VFC and device selection sequences
- Communication buffers up to 4K bytes
- Configurable ASCII - EBCDIC translation tables
- Configurable inbound record separator recognition
- Configurable suppression of outbound record separators

Optional Programming Interface (BSCLIB™)

- Record-oriented Application Programming Interface (API)
- High-level, record-oriented BSC communications routines
- Use with C, C++, Java, Visual BASIC
- Portable across all supported platforms

Connection Options

- Hayes Optima Business Modem in AutoSync mode (no sync adapter required; most economical option where feasible)
- Serengeti SyncPCI™ single-port sync adapter (requires synchronous modem from Serengeti Systems or 3rd party)
- Serengeti SmartSync™/DCP intelligent 8-port sync adapter (requires synchronous modem for each enabled port; modems available from Serengeti Systems or 3rd party)

System Requirements

- Pentium or Athlon PC (or compatible)
- IBM RS/6000 or Sun Sparc
- Windows 98 / NT / 2000 / XP, Linux, AIX, Solaris, FreeBSD

It's Easy Doing Business With Serengeti Systems

- 3780Link "look & feel" demo program available
- Printed 3780Link documentation provided at no additional cost
- Technical support library on www.serengeti.com
- Development services for your custom applications

RISK-FREE GUARANTEE!

If you are not completely satisfied with any Serengeti product, return it within 30 days of purchase for a refund of your purchase price.

Copyright © 2002 Serengeti Systems Incorporated. All Rights Reserved. 3780Link, BSCLIB, SmartSync, and SyncPCI are trademarks of Serengeti Systems. Other trademarks and tradenames are the property of their respective owners.

3780link.p65 (01/07/2002)

For more information, call (800) 634-3122



Serengeti Systems Incorporated

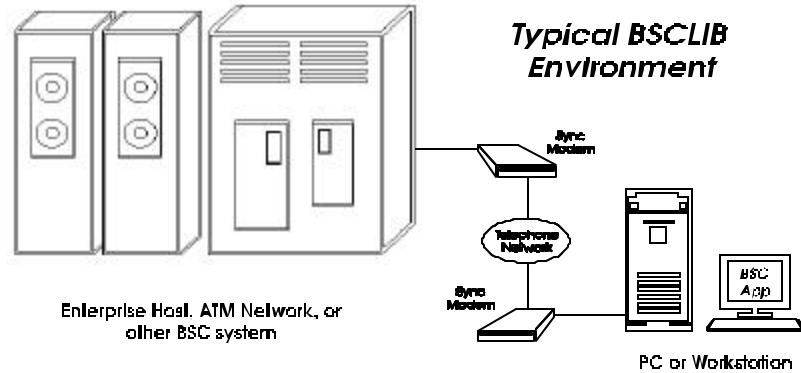
812 West 11th Street
Austin, TX 78701-2022

Voice: (512) 345-2211
Fax: (512) 480-8729
E-mail: sales@serengeti.com
WWW: <http://www.serengeti.com>

BSCLIB™

BSC Protocol Developer's Tool Kit

3780/2780 &
Multi-Point
Bisync API
for Microsoft
Windows® PCs
plus Linux®, AIX®,
Solaris®, and
FreeBSD Unix
Platforms



BSCLIB™ is a software tool kit used to create customized application programs with embedded support for either the point-to-point Binary Synchronous Communications protocol specific to IBM 3780 and 2780 data terminals, or the multi-point version often required by 3270 terminals and other devices. This IBM protocol is also known as bisync or, simply, BSC. The tool kit provides a record-oriented Application Programming Interface (API) that works with many popular programming languages including Visual BASIC, C, C++, Java, and COBOL on Windows PCs and many Unix platforms.

BSCLIB Applications

BSCLIB can be used to create data collection and distribution systems that connect a PC with your customers, suppliers, plants, store locations, or other remote sites which utilize the BSC protocol. BSCLIB applications include accessing Electronic Data Interchange (EDI) mailboxes, creating PC-based VTAM and JES replacement systems, point-of-sale (POS) data collection, ATM machine connectivity, and other transaction-oriented BSC applications.

Application Programming Interface

The tool kit's API provides a straight-forward means of controlling the data flow between your application and a BSC communications link. This allows you to incorporate integrated, customized communication sessions that are totally transparent to end-users of your application.

With BSCLIB, accessing a BSC communications link is similar to record-oriented sequential file I/O. Your application opens a link, reads or writes fixed- or variable-length records, and closes the link. In most cases, your application is shielded from the details of bisync by BSCLIB's API. If lower-level control is needed, BSCLIB provides more advanced access.

Development vs. Run-Time Kits

BSCLIB is sold as both a Software Developer's Kit (SDK) and as a Run-Time Library (RTL) package. Reusable sample code is provided with the BSCLIB SDK. One SDK license is required to develop your application. Separate RTL license(s) are required for each instance of your application put into service.

Features

- 3780/2780 point-to-point emulation
- Multi-point (poll/select) emulation
- Vertical Forms Control (VFC) support
- Device selection & terminal ID support
- Space compression & expansion
- WACK, RVI, and TTD support
- Send and receive conversational replies
- Simplex (one-way) data feed support
- Transparent & binary file transfer mode
- ASCII Data Link Control support
- CRC-16 or LRC error checking
- Communication buffers up to 4K bytes
- Configurable ASCII - EBCDIC tables
- Up to 48 simultaneous sessions per PC
- Up to 56K bps via dial-up or leased lines
- Auto-dial, auto-answer modem support
- Applications portable across platforms



Use BSCLIB To Create Custom Applications For:

- BSC Remote Job Entry (RJE)
- ATM Machine Connectivity
- Point-of-Sale Interfacing
- Electronic Data Interchange
- Electronic Funds Transfer
- Clearing House Transactions
- Insurance Claims Filing
- Mainframe File Transfer
- Remote Data Collection
- Other BSC Applications

API Functions

The BSCLIB API provides the functions listed below to control the communications process. Sample programs which demonstrate each of these functions are included with the BSCLIB software development kit (SDK). The BSCLIB API calls are 100% compatible across all supported hardware and software platforms. For real-time and interactive applications, BSCLIB is designed to immediately return control to your application after an API function is called. This allows your application to continue while BSCLIB processes the request.

Partial List of BSCLIB API Functions

Opcode - Function	Subopcode - Description
0 INITIALIZE	0 Store Parameters 1 Read Translation Table 2 Store Translation Table 10 Clear Received Terminal ID
1 INSTALL DRIVER	0 Install BSC Driver 1 Force Reset & Install
2 OPEN	0 Auto-Dial Modem 1 Open Communications
3 READ	0 Standard 1 Abort Read 2 Initiate RVI 10 Fetch Received Terminal ID 20 Store Multipoint 'Select' Addr
4 WRITE	0 Standard 1 Send ETB Block 2 Send ETX Block 3 Send ETX Block and EOT 4 Send Forward Abort 10 Send Line Tickle 11 Send EOT 20 Store Multipoint 'Poll' Addr
5 ABORT I/O	-
6 I/O STATUS	-
7 STATISTICS	0 Initialize 1 Read Statistics
8 TRACE	0 Initialize 1 Start 2 Stop 3 Read Queue 4 Reset
9 CLOSE	0 Standard 1 Leave DTR On
10 UNINSTALL DRIVER	-
11 INTERNAL MODEM COMMANDS	0 Enter DATA Mode 1 Enter TALK mode 2 Issue modem command 3 Return internal modem type
12 HARDWARE COMMANDS	0 Return hardware type 1 Return driver serial number 2 Request driver ownership 3 Release driver ownership 4 Raise DTR

Sample Program Code

The BSCLIB SDK is shipped with fully functional example programs written in C, C++, VB, and Java (including source code) that exercise all of the API functions.

RISK-FREE GUARANTEE!

If you are not completely satisfied with any Serengeti product, return it within 30 days of purchase for a refund of your purchase price.

Copyright © 2002 Serengeti Systems Incorporated. All Rights Reserved. 3780Link, BSCLIB, SmartSync, and SyncPCI are trademarks of Serengeti Systems. Other trademarks and tradenames are the property of their respective owners.

bsclib.p65 (01/07/2002)

BSCLIB Control Block

Your application communicates with BSCLIB by passing it the following control block. Other control blocks are also used to configure BSCLIB and to obtain session statistics.

Offset	Description	
0	Opcode	Return Code
2	Subopcode	State/Type
4	Flags	
6	32-bit Buffer Address	
8		
10	Parms/Write/Read Value	
12	Write/Read Count	
14	Time-out	
16	Auxiliary Flags/Shared Mem ID	
18	Trace Flags	Binary Value
20	Trace Byte #1	Trace Byte #2
22	Port Number	Board Number
24	Tail (always -1)	

High-Level Wrapper Functions

Beginning with v4.0, high-level wrapper functions for the Windows version of BSCLIB are available. These wrapper functions for C, C++, and Visual BASIC utilize callback functions and/or COM to make application development even easier. Full source code is provided. Major functions include:

BSCSetup	BSCDial	BSCGetWriteFlags
BSCSetupFromINI	BSCRead	BSCAbort
BSCReleaseResources	BSCReadToETX	BSCStatus
BSCInitialize	BSCGetReadFlags	BSCStatistics
BSCInstall	BSCWrite	BSCTrace
BSCConnect	BSCWriteETB	BSCClose
BSCAnswer	BSCWriteETX	BSCUninstall

Supported Adapters and Modems

- Serengeti SyncPCI™ single port sync adapter
- Serengeti SmartSync™/DCP intelligent 8-port sync adapter
- AutoSync using Hayes Optima modems
- Most external synchronous modems

Supported Operating Systems

- Windows 98 / NT / 2000 / XP; AIX, Linux, Solaris, FreeBSD

For more information,
call (800) 634-3122



Serengeti Systems Incorporated

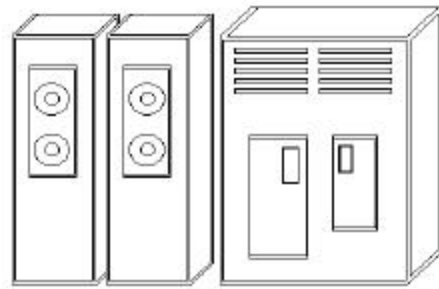
812 West 11th Street
Austin, TX 78701-2022

Voice: (512) 345-2211
Fax: (512) 480-8729
E-mail: sales@serengeti.com
WWW: http://www.serengeti.com

3770 SNA/RJE Emulation for Remote Windows® PCs & Clients to Microsoft® Host Integration Server & IBM Communications Server

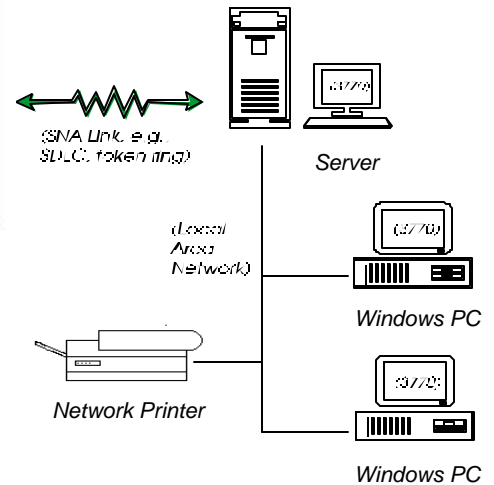
3770Link™

IBM 3776/3777 SNA/RJE Emulation



Enterprise Host

Typical 3770Link Client/Server Environment



Use 3770Link when your needs call for:

- SNA Remote Job Entry (RJE)
- Remote Mainframe Printing
- Mainframe File Transfer
- Electronic Data Interchange
- Electronic Funds Transfer
- U.S. Customs ABI Applications
- Freight Forwarding Applications
- Remote Data Collection
- Other 3770 emulation needs

3770Link™ offers full-featured IBM 3776/3777 SNA/RJE terminal emulation for Microsoft Windows PCs. Use the intuitive menus for interactive operations or take advantage of the powerful script language for automated, unattended sessions. 3770Link also supports a DDE interface for script commands, permitting tight integration with user-written application programs.

Menu-Driven Interactive Interface

When direct interactive control is desired, 3770Link's GUI is state-of-the-art – a precise point and click interface with pull-down menus, toolbar buttons, and context-sensitive help. A single mouse click can log on to the remote host; multiple LU sessions can be conducted simultaneously with real-time status information visible during file transmission and reception.

Scripts for Unattended Operation

3770Link's script language automates the functions of 3770Link menus. There are commands for establishing a "hot reader", looping, branching, and error control. There is a command to run external processes, and others that permit programmatic control from a user-written application. Operation of 3770Link in unattended mode can be as simple as clicking on a desktop icon. After a session, review the results by viewing 3770Link's log file which contains a complete session history.

Application Integration

For developers, 3770 sessions can be invoked from and directly controlled by a user-written program to integrate mainframe connectivity into your custom applications. For advanced applications, 3770Link can be configured as a server to provide an RJE gateway for multiple users in a networked environment.

3770Link as an NT Service

3770Link can be installed as an NT Service on Windows NT, 2000, and XP. This permits automatic loading of 3770Link on system startup and completely unattended operation.

Client Version

The client version of 3770Link operates with Microsoft Host Integration Server and IBM Communications Server. 3770Link can reside either on the server machine or a network station. Multiple copies of 3770Link may be in use across the network simultaneously.

Remote Version

The remote version of 3770Link is completely self-contained and operates without the need for a server. This version typically is used for dial-up or leased line sessions over an SDLC connection. In dial-up environments, AutoSync support eliminates the requirement for an internal SDLC adapter. DLC (Token Ring and Ethernet) network connections are also supported (Windows NT, 2000, XP only).

3770 Emulation Features

- IBM 3776/3777 Model 3 or Model 4 emulation (SNA Logical Unit type 1)
- LU-LU and SSCP-LU sessions
- Up to six concurrent sessions supported
- Receive to console, printer, or disk file
- Automatic ASCII - EBCDIC translation
- Single or multiple PDIR record recognition
- FMH 1 and FMH 3 support
- Bi-directional data compression and expansion
- Expansion of compacted host data streams

Supported Host Environments

- Host systems: POWER (DOS/VSE); JES2 and JES3 (MVS); other VTAM environments; and others

Client/Server Version

- Host connections: SDLC; SDLC; 802.2; X.25; Channel; DFT (or other server supported link)

Remote Version

- Host connections: SDLC; 802.2

Advanced Features

- Detailed log file with date and time stamps
- Session-level diagnostics
- Automatic server LU recognition
- Formatted (automatic) and unformatted logons
- "Hot reader" feature for automatic file transmission
- Automatic concatenation of transmitted files
- Automatic naming of received files
- Supports multiple configurations
- Supports BTU sizes up to 4K bytes
- Supports links to multiple hosts (client version)
- Transmission and reception of binary files
- Real-time session statistics
- Configurable ASCII - EBCDIC translation tables
- PDIR support allows host to name files, pass parameters, route files, and more
- Submit commands to 3770Link "RJE Server" from user-written client program via Windows DDE

Script Language For Unattended Operation

- Execute scripts from the command line, batch files, parent processes, or the 3770Link menu
- Execute external processes and evaluate results
- Accept commands from a client process
- Command line parameter substitution
- Call scripts from within scripts
- Time-activated commands
- Branching and looping commands
- Extensive result codes and error testing

RISK-FREE GUARANTEE!

If you are not completely satisfied with any Serengeti product, return it within 30 days of purchase for a refund of your purchase price.

Copyright © 2002 Serengeti Systems Incorporated. All Rights Reserved. Specifications are subject to change without notice. 3770Link and SyncPCI are trademarks of Serengeti Systems Incorporated. Other trademarks and tradenames are the property of their respective owners.

3770link.p65 (01/07/2002)

3770Link System Requirements

- Pentium or Athlon PC (or compatible)
- Windows 98 / NT / 2000 / XP

Microsoft Host Integration Server Version

- Microsoft HIS, SNA Server or SNA Workstation
- SNA Server supported link adapter

IBM Communications Server Version

- IBM Communications Server for Windows NT
- IBM Communications Server supported link adapter

Remote Version

- Serengeti SyncPCI™ SDLC adapter; or
- 802.2 (Token Ring or Ethernet) adapter with DLC protocol installed; or
- Available COM port with Hayes Optima modem using AutoSync

Serengeti SyncPCI SDLC Adapter

- For use with 3770Link remote version
- Auto-dial and auto-answer modem support
- Virtual modem panel display software included
- 32-bit Bus Master PCI adapter
- Plug and Play installation
- Link speeds up to 64K bps (RS232C interface)

It's Easy Doing Business With Serengeti Systems

- 3770Link "look & feel" demo program available
- Printed 3770Link documentation provided at no additional cost
- Technical support library on www.serengeti.com
- Development services for your custom applications

SNA Server Version

Designed for



Microsoft
BackOffice

For more information, call (800) 634-3122



Serengeti Systems Incorporated

812 West 11th Street
Austin, TX 78701-2022

Voice: (512) 345-2211

Fax: (512) 480-8729

E-mail: sales@serengeti.com

WWW: <http://www.serengeti.com>

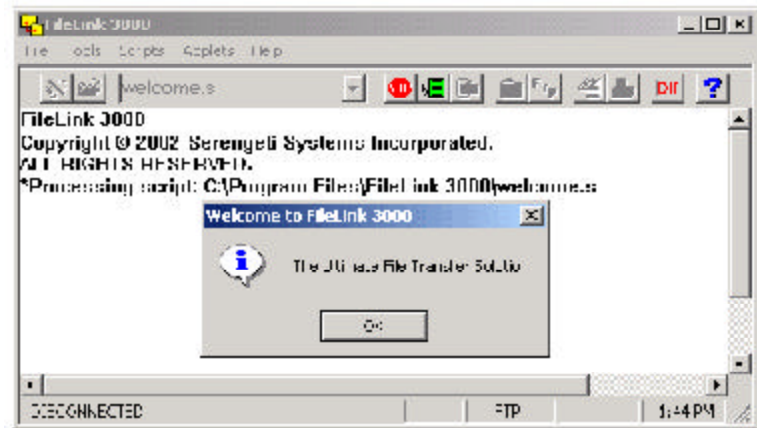
Unattended, Script Driven File Transfer *for* Windows® PCs Featuring FTP; Kermit, Xmodem, Ymodem, Zmodem Protocols

FileLink 3000 Script Commands

ANSWER	IFYES
APPEND	INC
ASK	LINEIN
AUTHDATA	LINEOUT
AUTHPW	LISTDIR
AUTHUSER	LOG
CALL	LOOPIF
CHAIN	LOOPTO
CONNECT	LOOPCOUNT
COPY	MESSAGEBOX
CRON	MINIMIZE
DEC	MODEMCMD
DELETE	MODEMRESET
DIAL	PAUSE
DIALNET	PERFORM
DISCONNECT	PLAYSOUND
DISPLAY	PRINT
DOSCMD	PROMPT
EXEC	PROTOCOL
EXIT	RCVFILE
FLUSH	READFILE
FTPCLIENT	RENAME
FTPCMD	RESTORE
FTPLOGOFF	RESETMODEM
FTPLOGON	SENDFILE
FTPSETERROR	SET
FTPTOJES	SETLEFT
GETHOSTFILE	SETMID
GETNEXTFILE	SETRIGHT
GOTO	SIGNAL
IFERROR	SPEAKER
IFFILE	STOP
IFNFILE	TERMINAL
IFNO	TRACELOG
IFNSTRCMP	USEPORT
IFNSUBSTR	WAITSIG
IFSTRCMP	WORKINGDIR
IFSUBSTR	WRITEFILE

FileLink® 3000

The Ultimate File Transfer Solution



FileLink® 3000 is a powerful unattended, script-driven file transfer package supporting both asynchronous modem and Internet FTP communications. FileLink 3000 is based on Serengeti's renowned IBM RJE terminal emulators for PC - mainframe file transfer. Expanding on those products, FileLink 3000 provides an extensive script language for controlling file transfers.

By providing automated, unattended operation, FileLink 3000 can be set up to send and receive files at any time. For example, FileLink 3000's script language can place a call through your modem, recognize and send character strings (such as logon and password strings), send and/or receive text and binary files using a variety of file transfer protocols, and recover from errors.

FileLink 3000 can be executed from a desktop icon, the Start menu, from within a batch file, or installed as a system service on Windows NT, 2000, or XP. A detailed log file is maintained to record the events of a file transfer session for later review.

Application Integration

Carrying on the tradition of its 3770 and 3780 siblings, FileLink 3000's application integra-

tion features are extensive. The extended version, FileLink XE, adds an API permitting complete control from a user-written program. These features permits FileLink XE to be easily integrated with user-written applications.

Built-In TTY and FTP Applets

Although FileLink 3000's design is centered around the execution of script files, it also includes simple but capable TTY terminal emulator and FTP client applets. These applets can be invaluable tools for the creation of FileLink 3000 script files. An applet may be used to determine the operation of a remote system in order to build a script file to mimic the steps that may otherwise be required by an operator.

Summary

FileLink 3000 has been designed from the ground up as an unattended file transfer package. Many other popular asynchronous and FTP communications packages designed for attended operation are excellent if you are there to "drive", but often come up short if your needs call for unattended operation. For those times, there is FileLink 3000 or FileLink XE - the ultimate file transfer solutions.

General Features

- Multi-threaded 32-bit Windows application
- Powerful script language for unattended operation
- Support for popular file transfer protocols including FTP, Kermit, Xmodem, Ymodem, and Zmodem
- Direct Notepad (or other) access for script file editing
- Auto-dial & auto-answer with Hayes-compatible modems
- Direct connection for modem-less connections
- Up to 56K bps over dial-up lines; up to 115.2K bps for direct async modem connections
- TCP/IP network connection for Internet FTP transfers
- "Hot-send" feature for automatic file transmission
- Automatic naming of received files
- Terminal applet for interactive TTY sessions
- FTP client applet for interactive FTP file transfers
- Complete session log with date and time stamps
- Built-in diagnostic message logging and debugging window
- Multiple simultaneous sessions from a single system (FileLink XE only)
- Configurable for COM1 through COM9 (COM1 through COM48 with FileLink XE)

Script Language Features

- Execute scripts from the command line, batch files, parent processes, or the FileLink 3000 menu
- Execute external processes and evaluate results
- Command line parameter substitution
- Call scripts from within scripts
- Time activated commands and powerful date/time scheduling
- Branching and looping commands
- Extensive result codes and error testing
- String variables with sub-string, and numeric manipulation
- Commands for interactive prompting and messaging
- Authenticate remote user names/passwords (Filelink XE only)
- Accept commands from client process (FileLink XE only)

Async File Transfer Features

- ASCII mode for simple, unblocked transmission and reception of text files
- Kermit, Xmodem, Xmodem1K, Ymodem, and Zmodem protocols for blocked, error-correcting transmission and reception of text and binary files
- Override control on remotely named files being received
- Compression control and 7- or 8-bit data path (Kermit only)
- Both 128 and 1K block size; configurable CRC or LRC block check methods (Xmodem and Xmodem1K only)
- Configurable ACK control (referred to as the G-option for Xmodem1K and Ymodem)
- Configurable sliding window; file over-write control; and crash recovery (Zmodem only)

RISK-FREE GUARANTEE!

If you are not completely satisfied with any Serengeti product, return it within 30 days of purchase for a refund of your purchase price.

Copyright © 2002 Serengeti Systems Incorporated. All Rights Reserved. Specifications are subject to change without notice. FileLink is Registered Trademark of Serengeti Systems Incorporated. Other trademarks and tradenames are the property of their respective owners.

FileLink.p65 (01/07/2002)

FTP File Transfer Features

- Support for multiple servers
- ASCII, EBCDIC, and binary file transfer modes
- File over-write control
- Directly access JES job queue on IBM mainframe servers
- "Hot-receive" feature for automatic file retrieval
- User configurable ASCII - EBCDIC translation tables
- Send any individual FTP command and interpret server's response

FileLink 3000 as an NT Service

FileLink 3000 may be installed as an NT Service on Windows NT, 2000, and XP. This permits completely unattended operation.

FileLink 3000 Script File Wizard

FileLink 3000 features a wizard tool that automatically creates complete, fully-commented script files. These script files may be used as is or as the basis of more complex script files for your specialized requirements.

FileLink 3000 Terminal and FTP Client Applets

FileLink 3000 features built-in TTY terminal emulator and FTP client applets. These applets may be invoked with a click of the mouse or by way of a script command. While the applets may be used as either a general purpose TTY terminal or FTP client, they are primarily intended as tools for the FileLink 3000 script file developer. These applets may be used to understand and manually perform the steps ultimately to be performed by a script file.

FileLink XE - The Extended Version of FileLink 3000

FileLink XE includes all of the features of FileLink 3000 but allows multiple instances to be loaded simultaneously on the same system. FileLink XE also supports "client/server" operation by way of a Windows DDE (Dynamic Data Exchange) programmatic interface. This combination of FileLink XE and multi-port communications hardware turns a PC into a very powerful "host" system supporting dial-up file transfers. The maximum number of simultaneous file transfer sessions is 48. All references to FileLink 3000 in this data sheet also apply to FileLink XE unless otherwise specifically stated.

It's Easy Doing Business With Serengeti Systems

- FileLink 3000 software available online; CD-ROM option available
- Purchase and authorize FileLink 3000 online
- Technical support 24-hours a day at www.serengeti.com

For more information, call (800) 634-3122



Serengeti Systems Incorporated

812 West 11th Street
Austin, TX 78701-2022

Voice: (512) 345-2211

Fax: (512) 480-8729

E-mail: sales@serengeti.com

WWW: www.filelink3000.com



Serengeti Systems

812 West 11th Street
Austin, TX 78701

(512) 345-2211
sales@serengeti.com

ORDER FORM

- CALL (800) 634-3122
- FAX to (512) 480-8729
- MAIL

1. CUSTOMER INFORMATION

Contact _____
 Title _____
 Company _____
 Address _____
 City,ST Zip _____
 Phone _____ FAX _____
 Email _____

2. SHIP TO (IF DIFFERENT)

3. ORDER INFORMATION

ITEM	QTY	PRICE	TOTAL
1 _____	_____	_____	_____
2 _____	_____	_____	_____
3 _____	_____	_____	_____
4 _____	_____	_____	_____
5 _____	_____	_____	_____
SUB-TOTAL	-	-	_____
SALES TAX (SHIPMENTS WITHIN TEXAS ONLY)	-	CALL	_____
SHIPPING & HANDLING	-	CALL	_____
TOTAL DUE	-	-	_____

4. PAYMENT INFORMATION

- Check Check # _____
- COD Cashier's Check or Money Order
- Visa Card # _____ Exp. Date ____/____
- MasterCard Name on Card _____
- AmEx
- Wire Xfer Signature _____

5. TERMS & CONDITIONS

SHIPPING & HANDLING: All pricing is FOB Serengeti's facility in Austin, Texas. Shipping options include Airborne Express, Select, or Two Day service. Federal Express, Emery, or other service upon request. Call for shipping and handling charges.

WARRANTY & SERVICE: Unless otherwise specified, all products include a 30 day money back guarantee. If for any reason you are not satisfied with your purchase within 30 days, return it to us in its original packaging for a full refund of the purchase price less shipping. Certain items may require a restocking fee. Serengeti's products include a 12 month defect warranty. See terms of purchase at <http://www.serengeti.com> for further details.

NOTICE: All product specifications, terms, pricing, and availability are subject to change without notice.